



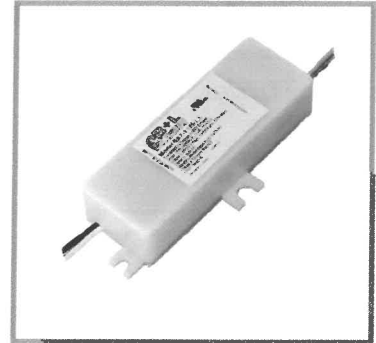
INSTALLING JX7-1125-L LED DRIVERS

Constant Current LED Driver with 0 - 10V control

CAUTION:

To avoid damage and injury disconnect power to unit prior to making adjustments and wiring connections.

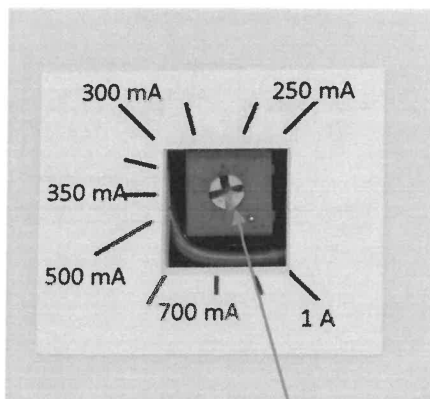
To prevent bodily injury and property damage, all installations must be performed in accordance to applicable local, state and federal fire codes and electrical codes and conditions of acceptability.



INSTALLATION PROCEDURE:

1. Program the desired output current prior to installing into fixture. The output current can be set between 250 mA and 1000 mA. To program the output current, turn over the driver so that the bottom of the driver faces up. Locate the programming trimpot and locate the 2 small dots on the adjustment dial (see Figure 1). Use a small screw driver to turn the pointer of the dial to the desired output current setting using the scale printed on the label (see Figure 2). Refer to Figure 3 for operating range of unit
2. The black and white conductors are for the incoming electric supply and the orange and blue wires are to transfer the power to the LED light sources. (see cabling diagram on next page) Use 105°C recognized or certified wires to connect these units. Refer to nameplate for input power requirements.

Figure 1. Programming dial on bottom of driver



The 2 dots on dial indicate the pointer for setting output current

Figure 2. Turn dial pointer to desired output current

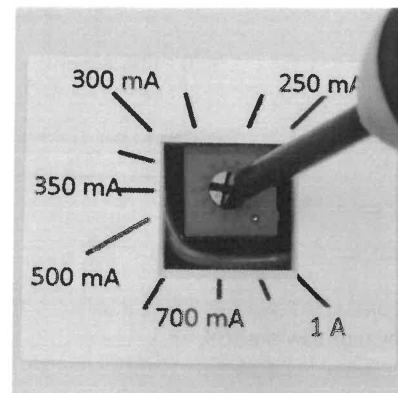
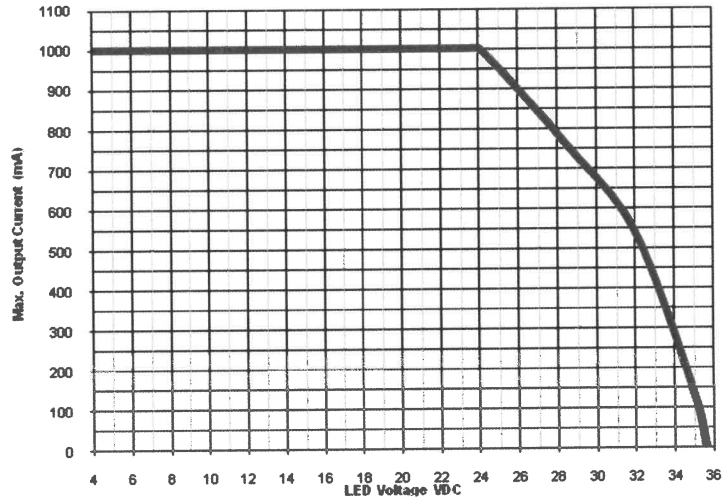
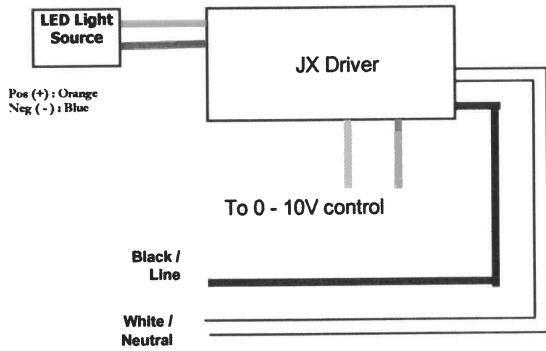


Figure 3. Area under curve is the normal operating range of the Driver

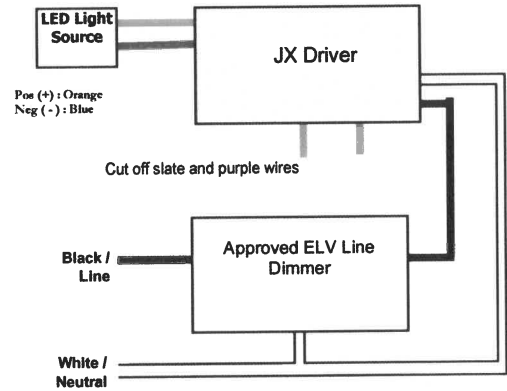


CABLING DIAGRAM

For use with 0 to 10 V control or no controls.



For ELV line dimming control



Cut off/cap off slate and purple wires when not using 0 to 10 V control